

Keep things within reach

GPS Holders

A holder makes it much easier to use your device in your vehicle. Keep your GPS device in a holder and you will always have it in easy sight and reach -safe and convenient!

A Wide Range of Products: The holders are customized for every different GPS model, and are available for most models on the market. A customized holder is usually ready when a new model appears on the market.

High Quality: The holders have a perfect fit and provides a firm installation. It is easy to place the device in the holder, and to take it out of the holder, so you can easily take your GPS with you when leaving the vehicle.

Many Alternatives: GPS holders are available with various features. All mounts and holders are adjustable in order to avoid light reflection in the screen.

Attach onto ProClip: Attach the holder onto the ProClip Mounting Platform in your vehicle. The installation is quick and easy, and does not damage the interior.

Safer Driving: With your device in a holder, it is always within easy reach. Our goal is to provide you with convenient products and solutions, to give you a safer driving environment while driving and operating your equipment.

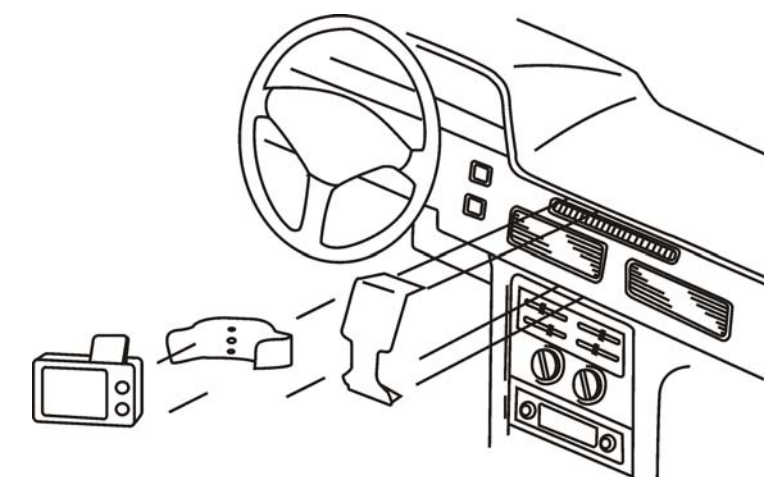
Easy to find: You will find an updated complete selection and other product information on our web site www.brodit.com

236072 006 ©2010 Brodit AB



GPS Holders

Holders and mounts for installation of GPS devices in vehicles. The choice for you who want to have your GPS device within easy sight and reach, placed on the dashboard instead of in the windshield.





Keep Your GPS in a Holder!



Passive holder



Active holder
with cigarette lighter cable



Active holder
for fixed installation



Holder with
pass-through connector

